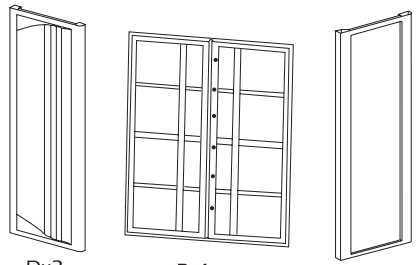


**DRAPER**<sup>®</sup>

ASSEMBLY INSTRUCTIONS FOR  
**Single Shelf  
Utility Cabinet**

Stock No.48685 Part No.UCAB1



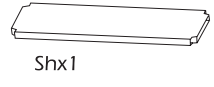
Dx2

Bx1

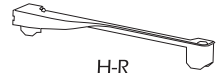
Sx2



B+T x2



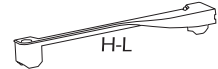
Shx1



H-R



C2x1



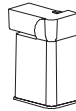
H-L



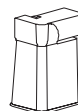
C1x1



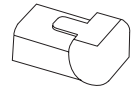
R2x2



F1x2



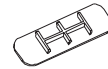
F2x2



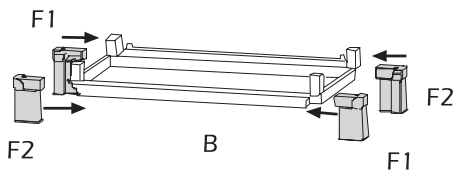
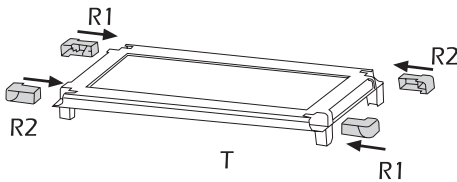
R1x2



S-S x 4

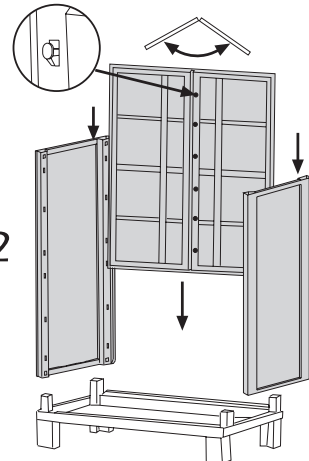


C-Cx6



**FIG1**

**FIG2**



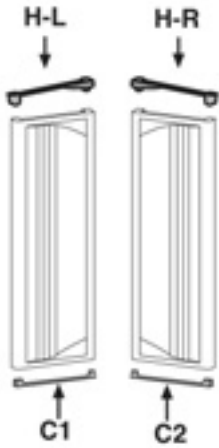


FIG3

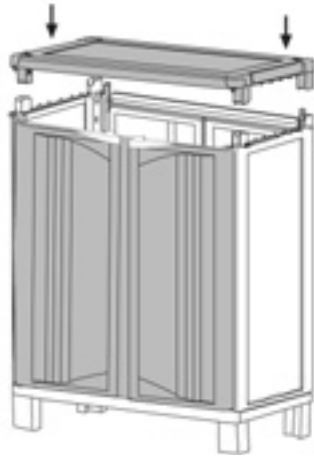


FIG4

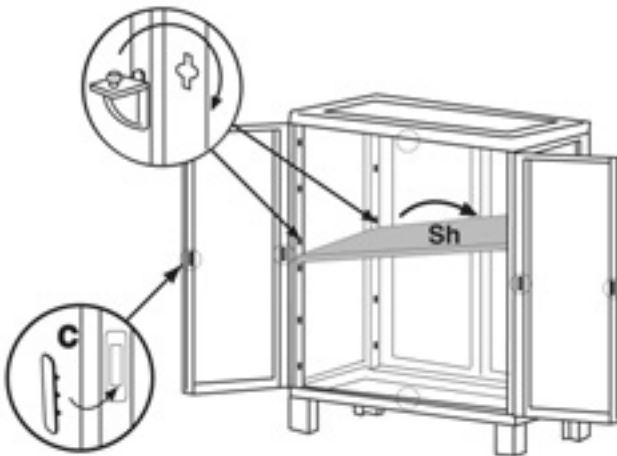


FIG5