



SPARE PARTS LISTING SHEET FOR 46cc 450mm Petrol Chainsaw

Stock No.45574

Part No.CSP4545

KEY No.	PART No.	STOCK No.	DESCRIPTION
1	YGP-2044782	47663	Handle.
2	YGP-2044910	47664	Screw.
3	YGP-2044770	47665	Spring.
4	YGP-2044920	47666	Washer.
5	YGP-2044950	47667	Nut.
6	YGP-2044940	47668	Screw.
7	YGP-2044402	47669	Kick back guard.
8	YGP-2044960	47670	Screw.
9	YGP-2044400	47671	Kick back bracket.
10	YGP-2044404	47672	O-Ring.
11	YGP-2044401	47673	Bush.
12	YGP-2044403	47674	Screw.
13	YGP-2044394	47675	Pin.
14	YGP-2044393	47676	Spring.
15	YGP-2044395	47677	Pin.
16	YGP-2044392	47678	Spring bracket.
17	YGP-2050920	47679	Screw.
18	YGP-2050850	47680	Upper housing.
19	YGP-2044792	47681	Cap.
20	YGP-2044560	47682	Internal assembly.
21	YGP-2044900	47683	Starter handle.
22	YGP-2044262	47684	Recoil cover.
23	YGP-2044261	47685	Recoil assembly.
24	YGP-2044241	47686	Recoil pulley.
25	YGP-2044251	47687	Lever.
26	YGP-2045120	47688	Screw.
27	YGP-2045150	47689	Washer.

KEY No.	PART No.	STOCK No.	DESCRIPTION
28	YGP-2044396	47690	Side housing.
29	YGP-2045160	47691	Washer.
30	YGP-2044541	47692	Clip.
31	YGP-2045100	47693	Bush.
32	YGP-2045110	47694	Spacer.
34	YGP-2044925	47695	Cap nut.
35	YGP-2044924	47696	Cap.
36	YGP-2044922	47697	Choke linkage.
37	YGP-2044743	47698	Trigger Bracket.
38	YGP-2044744	47699	Trigger.
39	YGP-2044745	47700	Spring.
40	YGP-2044650	47701	Throttle cable.
42	YGP-2044520	47702	Ignition assembly.
43	YGP-2044970	47703	Screw.
44	YGP-2044901	47704	Pull cord.
45	YGP-2044680	47705	Internal wire.
46	YGP-2044880	47706	Nut.
47	YGP-2044980	47707	Nut.
48	YGP-2057290	47886	Switch.
49	YGP-2045140	47708	Screw.
51	YGP-2044750	47709	Spring.
52	YGP-2050840	47710	Spring.
53	YGP-2044740	47711	Handle assembly.
54	YGP-2044911	47712	Screw.
55	YGP-2044921	47713	Washer.
56	YGP-2044971	47714	Screw.
57	YGP-144750	47715	Washer.

Helpline: (023) 8049 4344. Sales Desk: (023) 8049 4333. General Enquiries: (023) 8026 6355.

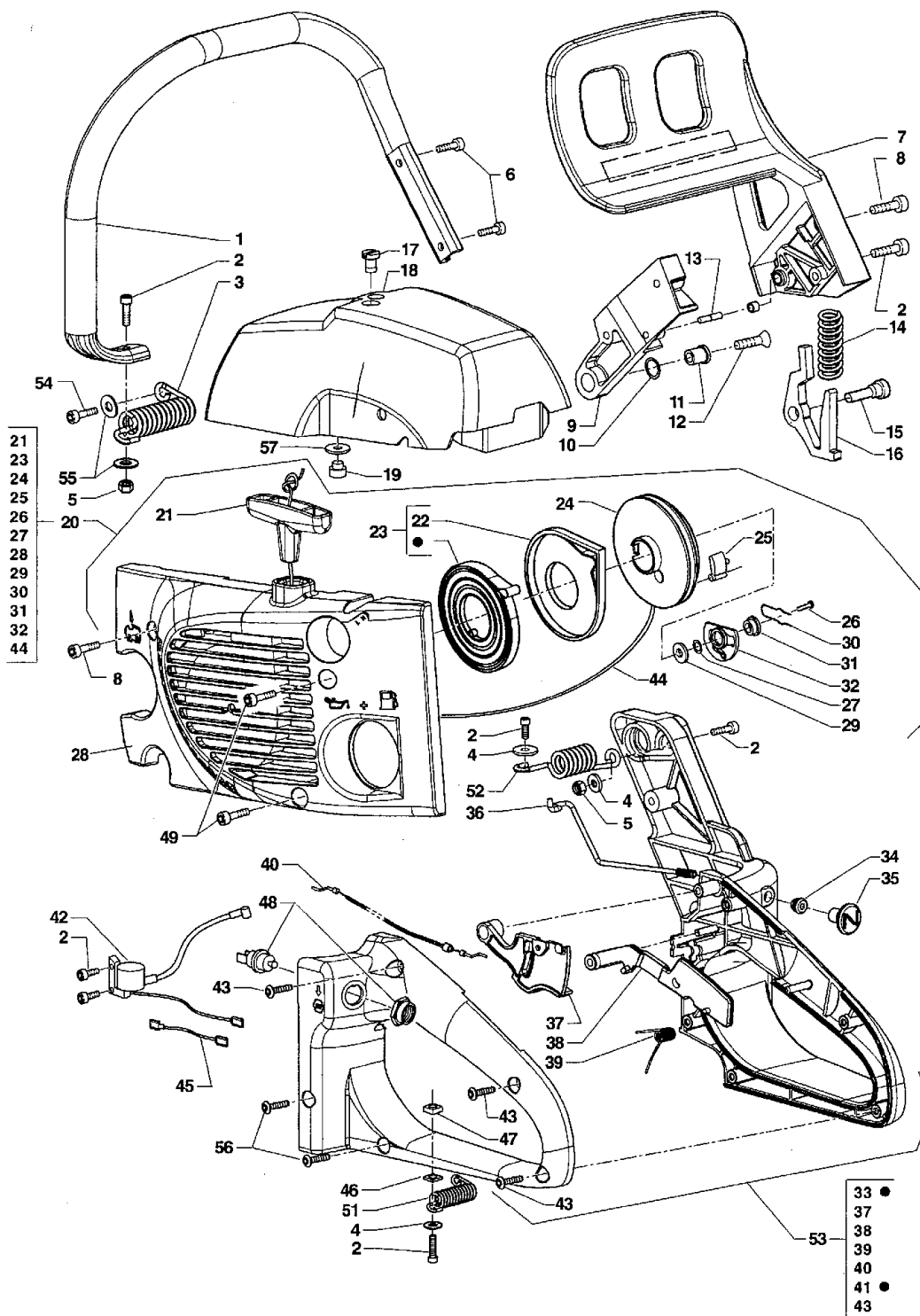
DRAPER TOOLS LTD, HURSLEY ROAD, CHANDLER'S FORD, EASTLEIGH, HANTS. SO53 1YF. U.K. internet: www.draper.co.uk e-mail: sales@drapertools.com



SPARE PARTS DRAWING SHEET FOR 46cc 450mm Petrol Chainsaw

Stock No.45574

Part No.CSP4545



Helpline: (023) 8049 4344. Sales Desk: (023) 8049 4333. General Enquiries: (023) 8026 6355.

DRAPER TOOLS LTD, HURSLEY ROAD, CHANDLER'S FORD, EASTLEIGH, HANTS. SO53 1YF. U.K. internet: www.draper.co.uk e-mail: sales@drapertools.com



SPARE PARTS LISTING SHEET FOR 46cc 450mm Petrol Chainsaw

Stock No.45574

Part No.CSP4545

KEY No.	PART No.	STOCK No.	DESCRIPTION
61	YGP-2044793	47716	Stud bolt.
62	YGP-2045170	47717	Screw.
63	YGP-2050800	47718	Cylinder head.
64	YGP-2044730	47719	Spark plug.
65	YGP-2050830	47720	Gasket.
66	YGP-2050872	47721	Piston ring.
67	YGP-2050871	47722	Piston.
68	YGP-2050873	47723	Pin.
69	YGP-2050874	47724	Circlip.
70	YGP-2044722	47725	O-Ring.
71	YGP-2044720	47726	Cap.
73	YGP-2044550	47727	End Housing
74	YGP-2044600	47728	Bleeding bubble.
75	YGP-2045200	47729	Nut.
76	YGP-2044510	47730	Fan.
77	YGP-2044820	47731	Washer.
78	YGP-2045220	47732	Circlip.
79	YGP-2044810	47733	Bearing.
80	YGP-2044232	47734	Crankcase.
81	YGP-2045210	47735	Screw.
82	YGP-2050860	47736	Crankshaft.
83	YGP-2044511	47737	Key.
84	YGP-2044850	47738	Gasket.
85	YGP-2050880	47739	Needle bearing.
86	YGP-2054200	47740	Depression button.
88	YGP-2044830	47741	Washer.
89	YGP-2044890	47742	Pin.
90	YGP-2044231	47743	Housing.
91	YGP-2044571	47744	Bush.

KEY No.	PART No.	STOCK No.	DESCRIPTION
92	YGP-2044712	47745	O-Ring.
93	YGP-2044710	47746	Fuel cap.
95	YGP-2044621	47747	Tube.
96	YGP-2044570	47748	Fuel tank.
97	YGP-2044640	47749	Air bleeder filter.
98	YGP-2044930	47750	Inline filter.
99	YGP-2044630	47751	Tube.
100	YGP-2033160	47752	Tube assembly.
101	YGP-2044300	47753	Brake drum.
102	YGP-2044293	47754	Shaft.
103	YGP-2044283	47755	Cap.
104	YGP-2044284	47756	Spring.
106	YGP-2044310	47757	Tube.
109	YGP-2044390	47758	Strap.
111	YGP-2045180	47759	Screw.
112	YGP-2044440	47760	Grip.
113	YGP-2044430	47761	Housing.
114	YGP-2044500	47762	Plate.
116	YGP-2045230	47763	Screw.
117	YGP-2044410	47764	Bracket.
118	YGP-2044320	47765	Oil cap Elbow.
119	YGP-2044330	47766	Filter.
120	YGP-2044420	47767	Dowl.
121	YGP-2044480	47768	Screw.
122	YGP-2044490	47769	Pin.
123	YGP-2044481	47770	Clip.
124	YGP-2044289	47771	Brake assembly.
125	YGP-2044431	47772	Nut.
126	YGP-2044572	47773	Clip.

Helpline: (023) 8049 4344. Sales Desk: (023) 8049 4333. General Enquiries: (023) 8026 6355.

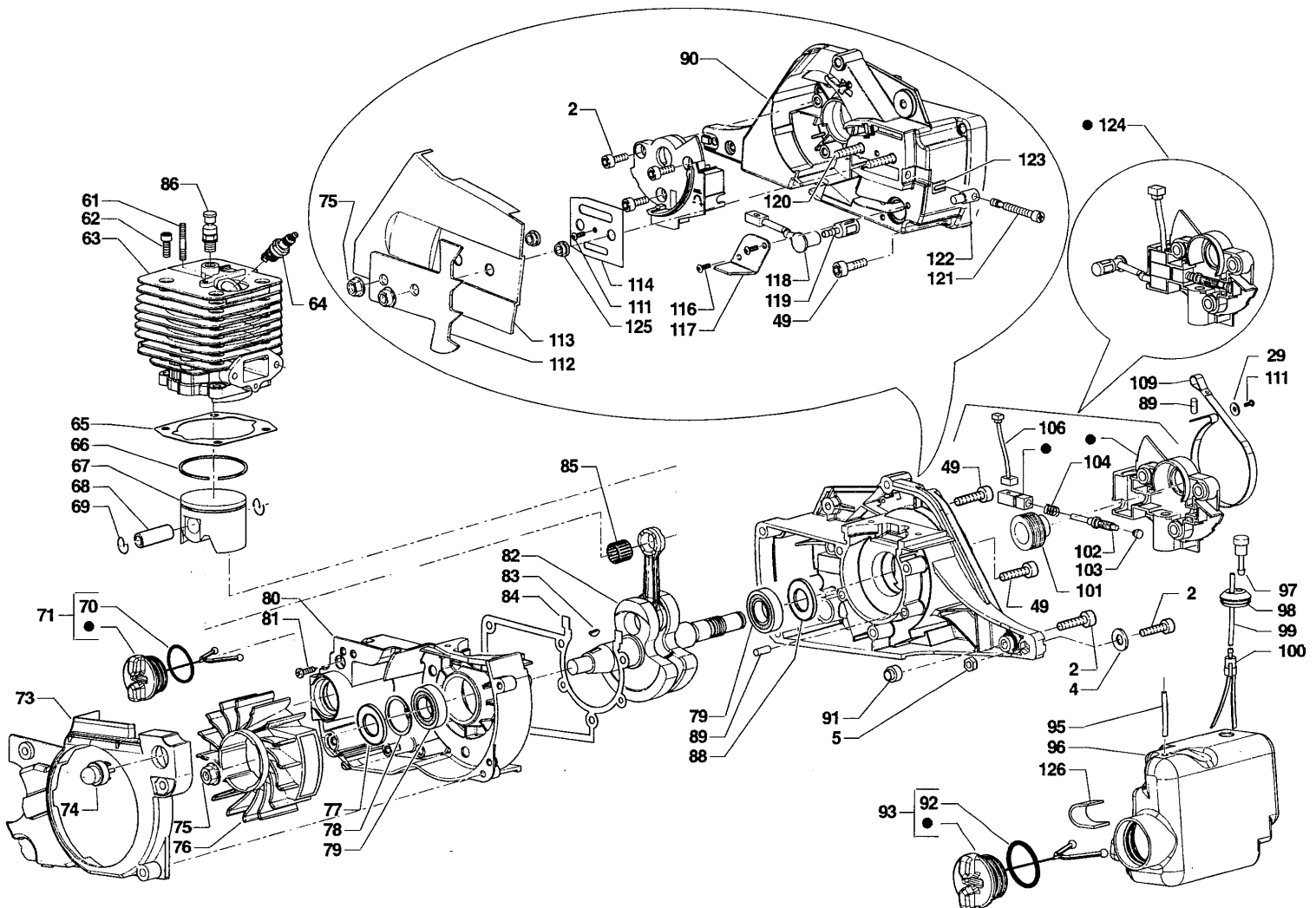
DRAPER TOOLS LTD, HURSLEY ROAD, CHANDLER'S FORD, EASTLEIGH, HANTS. SO53 1YF. U.K. internet: www.draper.co.uk e-mail: sales@drapertools.com



SPARE PARTS DRAWING SHEET FOR 46cc 450mm Petrol Chainsaw

Stock No.45574

Part No.CSP4545



Helpline: (023) 8049 4344. Sales Desk: (023) 8049 4333. General Enquiries: (023) 8026 6355.

DRAPER TOOLS LTD, HURSLEY ROAD, CHANDLER'S FORD, EASTLEIGH, HANTS. SO53 1YF. U.K. internet: www.draper.co.uk e-mail: sales@drapertools.com



SPARE PARTS LISTING SHEET FOR 46cc 450mm Petrol Chainsaw

Stock No.45574

Part No.CSP4545

KEY No.	PART No.	STOCK No.	DESCRIPTION
135	YGP-2045240	47774	Screw.
136	YGP-2044456	47775	Grille.
137	YGP-2045260	47776	Nut.
138	YGP-2045250	47777	Screw.
139	YGP-2044460	47778	Bracket.
140	YGP-2050810	47779	Exhaust assembly.
141	YGP-2050820	47780	Gasket.
142	YGP-2045360	47781	Bolts.
143	YGP-2044590	47782	Gasket.
144	YGP-2044580	47783	Guard.
145	YGP-2044840	47784	Gasket.
146	YGP-2045320	47785	Washer.
147	YGP-2045330	47786	Washer.
148	YGP-2044620	47787	Pipe.
149	YGP-2042100	47788	Carburator assembly.
150	YGP-2045370	47789	Bolt.
151	YGP-2042101	47790	Stud bolts.

KEY No.	PART No.	STOCK No.	DESCRIPTION
152	YGP-2044690	47791	Carburator cover.
153	YGP-2045350	47792	Bracket.
154	YGP-2045340	47793	Bolts.
155	YGP-2044700	47794	Air filter.
156	YGP-2044701	47795	Nut.
167	YGP-2044340	47796	Spacer.
168	YGP-2044351	47797	Washer.
169	YGP-2044353	47798	Clutch.
170	YGP-2044350	47799	Clutch assembly.
172	YGP-2044370	47800	Washer.
173	YGP-2044380	47801	Circlip.
174	YGP-2052260	47802	Bar.
175	YGP-2052270	47803	Chain.
176	YGP-2050910	47804	Bar guard.
177	YGP-2044360	47805	Clutch cover.
178	YGP-2045380	47806	Box spanner/screwdriver.

Helpline: (023) 8049 4344. Sales Desk: (023) 8049 4333. General Enquiries: (023) 8026 6355.

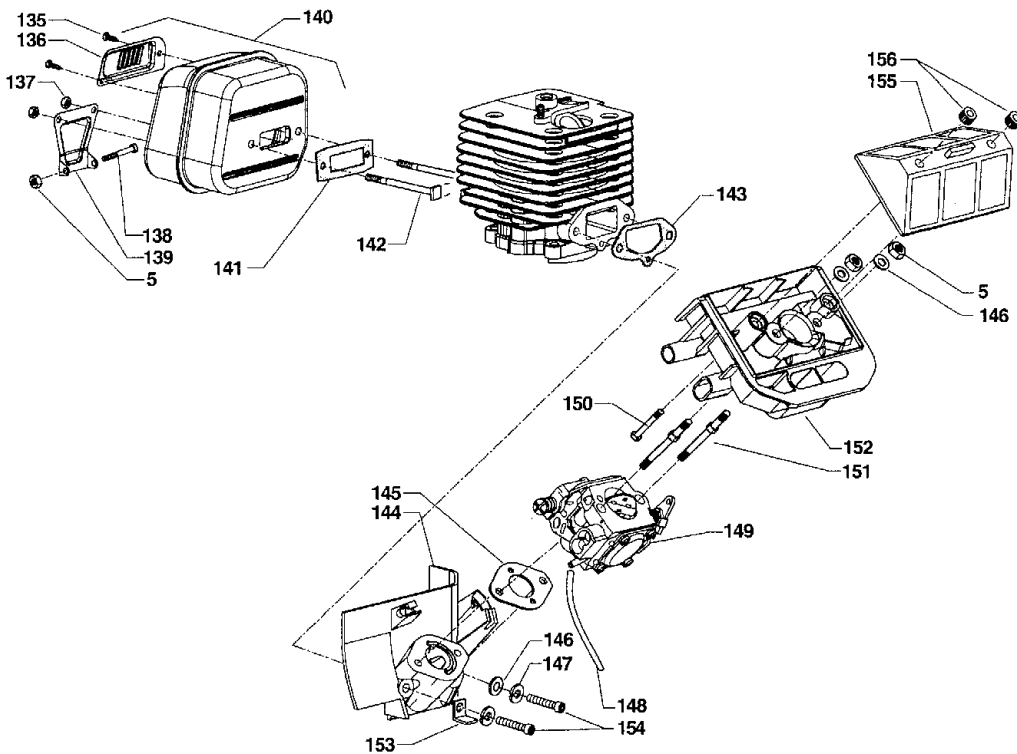
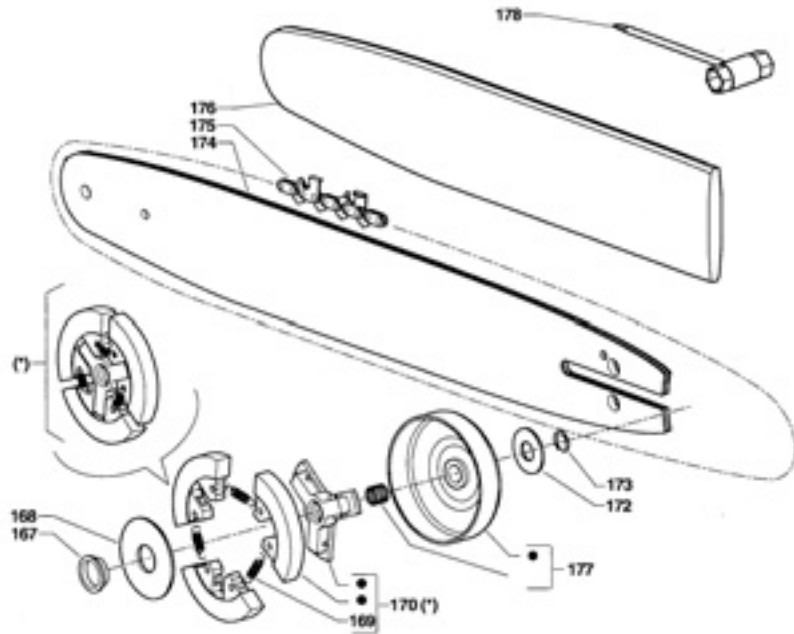
DRAPER TOOLS LTD, HURSLEY ROAD, CHANDLER'S FORD, EASTLEIGH, HANTS. SO53 1YF. U.K. internet: www.draper.co.uk e-mail: sales@drapertools.com



SPARE PARTS DRAWING SHEET FOR 46cc 450mm Petrol Chainsaw

Stock No.45574

Part No.CSP4545



Helpline: (023) 8049 4344. **Sales Desk:** (023) 8049 4333. **General Enquiries:** (023) 8026 6355.

DRAPER TOOLS LTD, HURSLEY ROAD, CHANDLER'S FORD, EASTLEIGH, HANTS. SO53 1YF. U.K. internet: www.drapertools.co.uk e-mail: sales@drapertools.com

RWDH220108