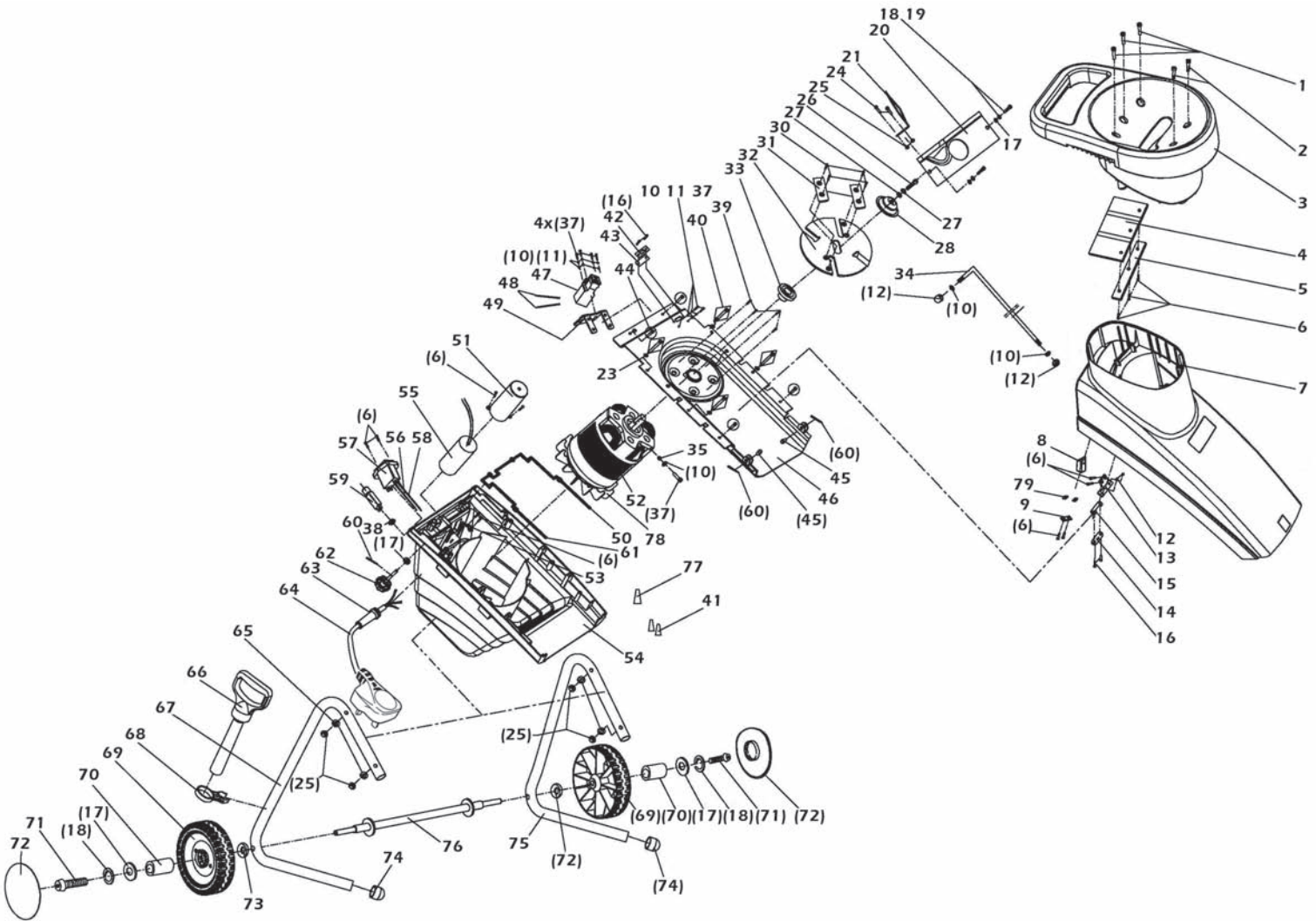




SPARE PARTS DRAWING SHEET FOR

2400W Garden Shredder

Stock No.45546 Part No.GS2401



Helpline: (023) 8049 4344. Sales Desk: (023) 8049 4333. General Enquiries: (023) 8026 6355.

DRAPER TOOLS LTD, HURSLEY ROAD, CHANDLER'S FORD, EASTLEIGH, HANTS. SO53 1YF. U.K. internet: www.draper.co.uk e-mail: sales@drapertools.com

RWKC031109

DRAPER

®

SPARE PARTS LISTING SHEET FOR

2400W Garden Shredder

Stock No.45546 Part No.GS2401

KEY No.	PART No.	STOCK No.	DESCRIPTION
1	YGP-268001012	46354	Screw.
2	YGP-268001013	46355	Screw.
3	YGP-251001074	46356	Funnel.
4	YGP-251001187	46357	Rubber guard rail.
5	YGP-263002023	46358	Plate.
6	YGP-268001005	46359	Screw.
7	YGP-251001075	46360	Refuge housing.
8	YGP-268005018	46361	Nut.
9	YGP-263002027	46362	Nut press plate.
10	YGP-268007010	46363	Washer.
11	YGP-268008005	46364	Washer.
12	YGP-268005002	46365	Nut (M4).
13	YGP-263002033	46366	Key plate.
14	YGP-251001180	46367	Key press plate.
15	YGP-263002036	46368	Key.
16	YGP-268003001	46369	Screw.
17	YGP-268007007	46370	Washer.
18	YGP-268008002	46371	Washer.
19	YGP-268003008	46372	Screw.
20	YGP-263002019	46373	Guard.
21	YGP-263002020	46374	Side shield.
23	YGP-268008003	46375	Washer.
24	YGP-268002008	46376	Screw.
25	YGP-268005005	46377	Nut.
26	YGP-268006009	46378	Bolt.
27	YGP-268008001	46379	Washer.
28	YGP-263002046	46380	Washer.
30	YGP-268003003	46381	Screw.
31	YGP-263001018	46382	Blade.
32	YGP-263002017	46383	Blade tray.
33	YGP-263002045	46384	Washer.
34	YGP-263002026	46385	Pull-pole.
35	YGP-268008008	46386	Washer.
37	YGP-268002001	46387	Screw.
38	YGP-268005010	46388	Nut.
39	YGP-268003004	46389	Screw.
40	YGP-268003002	46390	Screw.
41	YGP-229002004	46391	Linker.

KEY No.	PART No.	STOCK No.	DESCRIPTION
42	YGP-263002034	46392	Press plate.
43	YGP-251001193	46393	Sealed plate.
44	YGP-268001011	46394	Screw.
45	YGP-262001008	46395	Pin.
46	YGP-263002018	46396	Motor support plate.
47	YGP-276001006	46397	Switch.
48	YGP-229001017	46398	Internal wire, brown.
49	YGP-263002032	46399	Switch support.
50	YGP-251001188	46400	Housing seal.
51	YGP-251001077	46401	Capacitor.
52	YGP-274002006	46402	Motor.
53	YGP-251001023	46403	Press plate.
54	YGP-251001076	46404	Motor housing.
55	YGP-282001008	46405	Capacitor.
56	YGP-229001019	46406	Internal wire, blue.
57	YGP-276001005	46407	Electromagnetism switch.
58	YGP-229001018	46408	Internal wire, brown.
59	YGP-276001007	46409	Protected element.
60	YGP-268090007	46410	Hatch pin.
61	YGP-251001189	46411	Right seal.
62	YGP-251001033	46412	Locked handle.
63	YGP-251001195	46413	Cable strain.
64	YGP-271001006	46414	Plug and cable.
65	YGP-263002024	46415	Washer.
66	YGP-258001001	46416	Push stick.
67	YGP-263002022	46417	Right support bracket.
68	YGP-251001080	46418	Clip.
69	YGP-251001078	46419	Wheel.
70	YGP-269002002	46420	Sleeve.
71	YGP-268003007	46421	Bolt.
72	YGP-251001079	46422	Wheel hub.
73	YGP-263002025	46423	Washer.
74	YGP-251001196	46424	Foot.
75	YGP-263002021	46425	Left support bracket.
76	YGP-262001005	46426	Axle.
77	YGP-229002005	46427	Link plate.
78	YGP-251001105	46428	Fan.
79	YGP-268005003	46429	Nut.

Helpline: (023) 8049 4344. Sales Desk: (023) 8049 4333. General Enquiries: (023) 8026 6355.

DRAPER TOOLS LTD, HURSLEY ROAD, CHANDLER'S FORD, EASTLEIGH, HANTS. SO53 1YF. U.K. internet: www.draper.co.uk e-mail: sales@drapertools.com

RWKC031109