



SPARE PARTS LISTING SHEET FOR

2500W Quiet Shredder

Stock No.45545

Part No.GSQ2501

KEY No.	PART No.	STOCK No.	DESCRIPTION
1	YGSQ2501-01	46307	Hub.
2	YGSQ2501-02	46308	Nut (M8 lock).
3	YGSQ2501-03	46309	Wheel.
4	YGSQ2501-04	46310	Sleeve.
5	YGSQ2501-05	46311	Stubby sleeve.
6	YGSQ2501-06	46312	Washer (Ø8).
7	YGSQ2501-07	46313	Stand bracket.
8	YGSQ2501-08	46314	Axle.
9	YGSQ2501-09	46315	Stand bracket.
10	YGSQ2501-10	46316	Washer (Ø8).
11	YGSQ2501-11	46317	Bolt (M8x40).
12	YGSQ2501-12	46318	Disposal chute.
13	YGSQ2501-13	46319	Screw (ST4.2x16).
14	YGSQ2501-14	46320	Nut (M5 lock).
15	YGSQ2501-15	46321	Screw (ST4.2x19).
16	YGSQ2501-16	46322	Lower housing.
18	YGSQ2501-18	46324	Right hand side bracket.
20	YGSQ2501-20	46326	Bolt (M5x15).
21	YGSQ2501-21	46327	Screw (ST3.5x10).
22	YGSQ2501-22	46328	Washer.
23	YGSQ2501-23	46329	Capacitor 25µF.
25	YGSQ2501-25	46331	Bolt (M5x10).
26	YGSQ2501-26	46332	Screw (ST4.2x19).
27	YGSQ2501-27	46333	Cable clamp.
28	YGSQ2501-28	46334	Cable clamp.
30	YGSQ2501-30	46336	Plug and cable.
32	YGSQ2501-32	46337	Left hand side bracket.
33	YGSQ2501-33	46338	Washer (Ø4).
34	YGSQ2501-34	46339	Washer (Ø4).
35	YGSQ2501-35	46340	Bolt (M4x10).
36	YGSQ2501-36	46341	Screw (ST4.2x19).
37	YGSQ2501-37	46342	Rubber chute guard.
38	YGSQ2501-38	46343	Handle.
39	YGSQ2501-39	46344	Funnel.
41	YGSQ2501-41	46346	Upper housing.

KEY No.	PART No.	STOCK No.	DESCRIPTION
42	YGSQ2501-42	46347	Screw (M4x10).
43	YGSQ2501-43	46348	Grille.
44	YGSQ2501-44	46349	Switch.
45	YGSQ2501-45	46350	Foot.
46	YGSQ2501-46	10822	Circlip (C16).
47	YGSQ2501-47	10823	2500W motor.
48	YGSQ2501-48	10824	Fan.
49	YGSQ2501-49	10825	Pin (8x77).
50	YGSQ2501-50	10826	Paper gasket.
51	YGSQ2501-51	10828	Washer (C97x0.8).
52	YGSQ2501-52	10831	Gear cage.
53	YGSQ2501-53	10832	Planet gear.
54	YGSQ2501-54	10833	Planet gear carrier.
55	YGSQ2501-55	10837	Planet gear.
56	YGSQ2501-56	10838	Planet gear carrier.
57	YGSQ2501-57	10839	Bearing.
58	YGSQ2501-58	10840	Hex. socket bolt (M10x45).
59	YGSQ2501-59	10842	Casting.
60	YGSQ2501-60	10843	Washer (C8).
61	YGSQ2501-61	10845	Spring washer (C8).
62	YGSQ2501-62	10847	Hex. socket bolt (M8x95).
63	YGSQ2501-63	10848	Plate.
64	YGSQ2501-64	10849	O ring.
65	YGSQ2501-65	10850	Blade [gear.]
66	YGSQ2501-66	10851	Drive shaft.
67	YGSQ2501-67	10853	Bush.
68	YGSQ2501-68	10855	End plate.
69	YGSQ2501-69	10856	Washer (C8).
70	YGSQ2501-70	10857	Spring washer (C8).
71	YGSQ2501-71	10858	Hex. socket bolt (M8x30).
72	YGSQ2501-72	10859	Adjustment [wear] plate.
73	YGSQ2501-73	10860	Spring.
74	YGSQ2501-74	14167	Cable sleeve.
75	YGSQ2501-75	14168	Washer.
76	YGSQ2501-76	14176	Washer.

Helpline: (023) 8049 4344. Sales Desk: (023) 8049 4333. General Enquiries: (023) 8026 6355.

DRAPER TOOLS LTD, HURSLEY ROAD, CHANDLER'S FORD, EASTLEIGH, HANTS. SO53 1YF. U.K. internet: www.draper.co.uk e-mail: sales@drapertools.com

OAJW03099

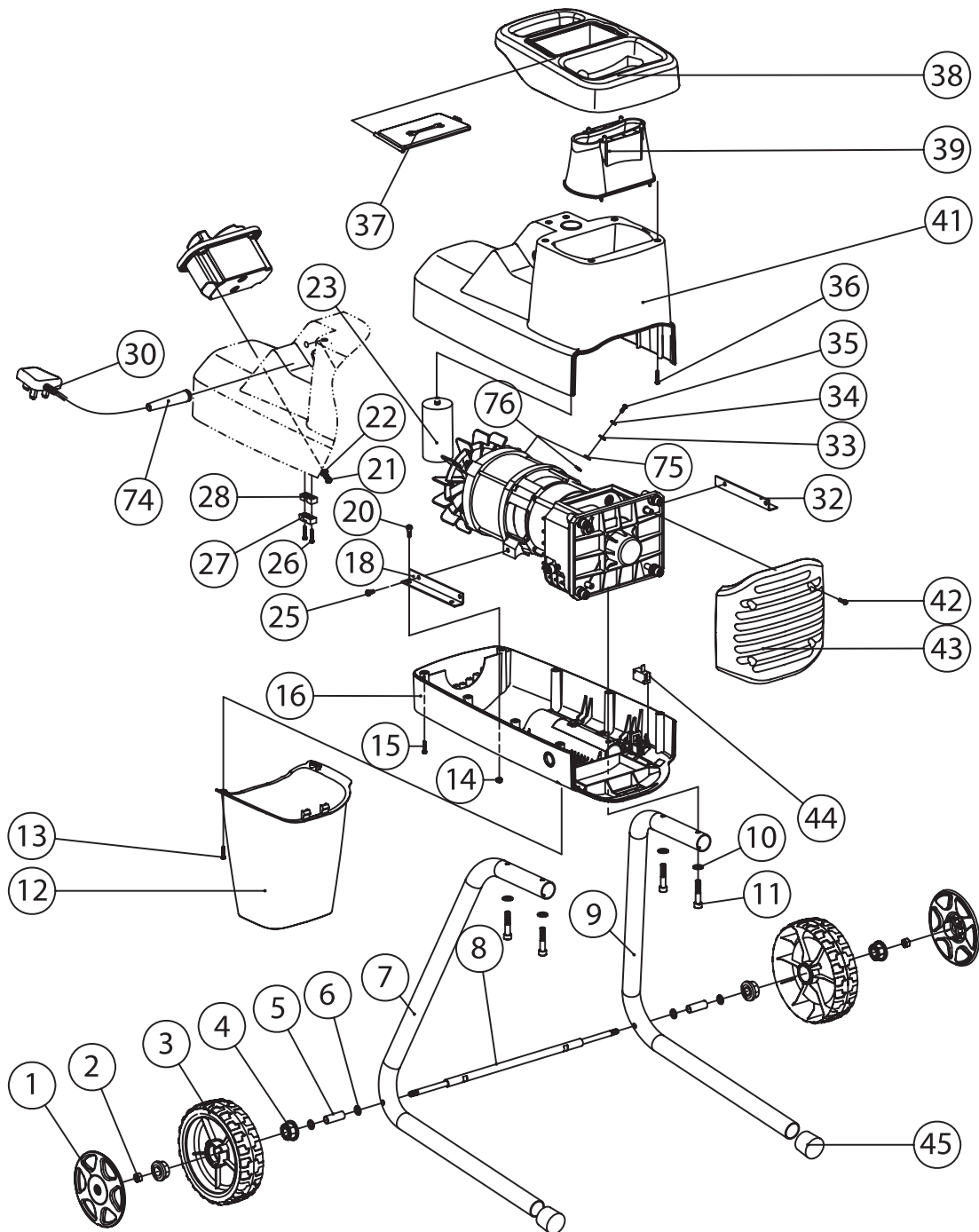


SPARE PARTS DRAWING SHEET FOR

2500W Quiet Shredder

Stock No.45545

Part No.GSQ2501



Helpline: (023) 8049 4344. Sales Desk: (023) 8049 4333. General Enquiries: (023) 8026 6355.

DRAPER TOOLS LTD, HURSLEY ROAD, CHANDLER'S FORD, EASTLEIGH, HANTS. SO53 1YF. U.K. internet: www.draper.co.uk e-mail: sales@drapertools.com

OAJW030909

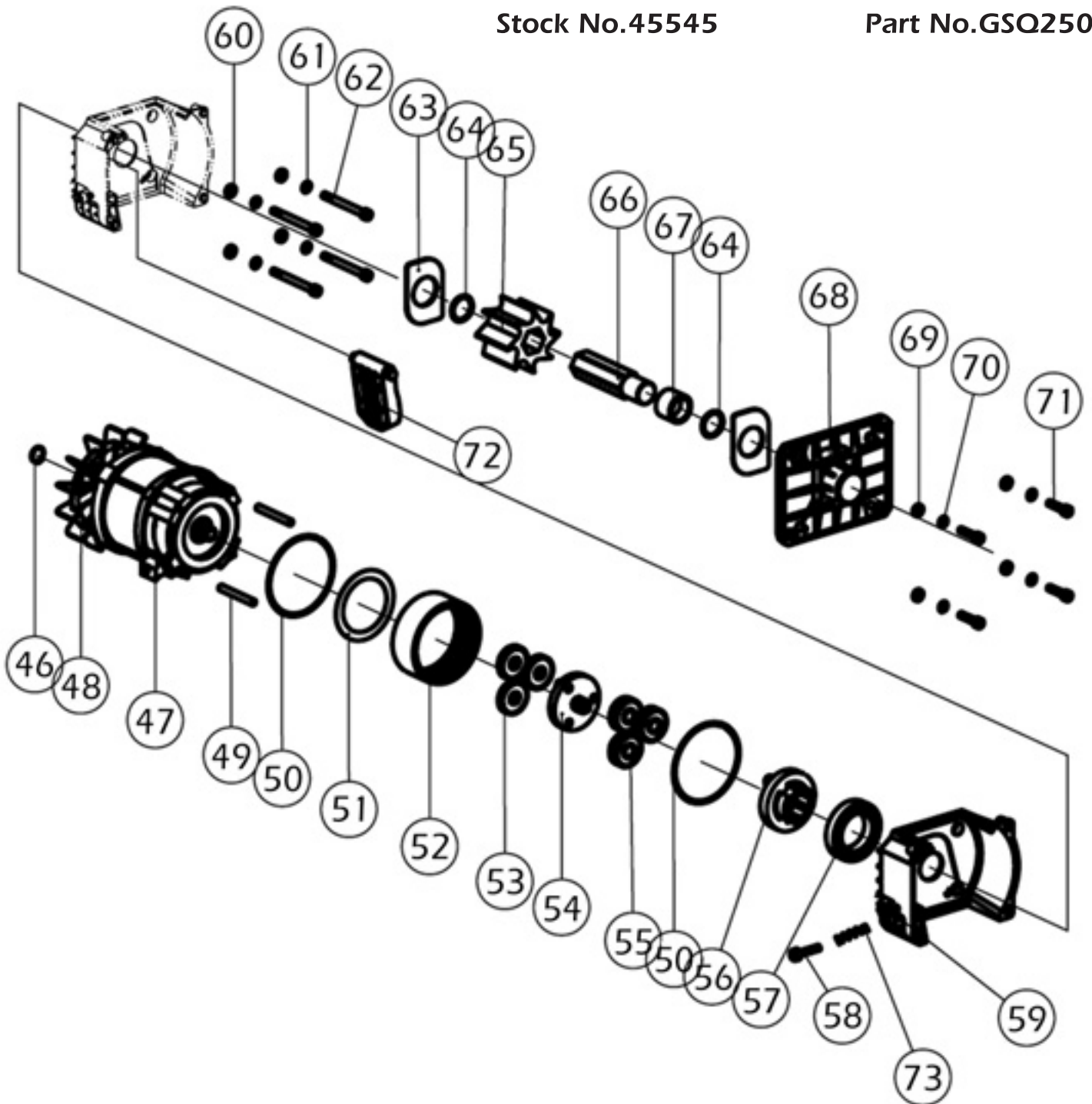


SPARE PARTS DRAWING SHEET FOR

2500W Quiet Shredder

Stock No.45545

Part No.GSQ2501



Helpline: (023) 8049 4344. **Sales Desk:** (023) 8049 4333. **General Enquiries:** (023) 8026 6355.

DRAPER TOOLS LTD, HURSLEY ROAD, CHANDLER'S FORD, EASTLEIGH, HANTS. SO53 1YF. U.K. internet: www.draper.co.uk e-mail: sales@drapertools.com

OAJW030909