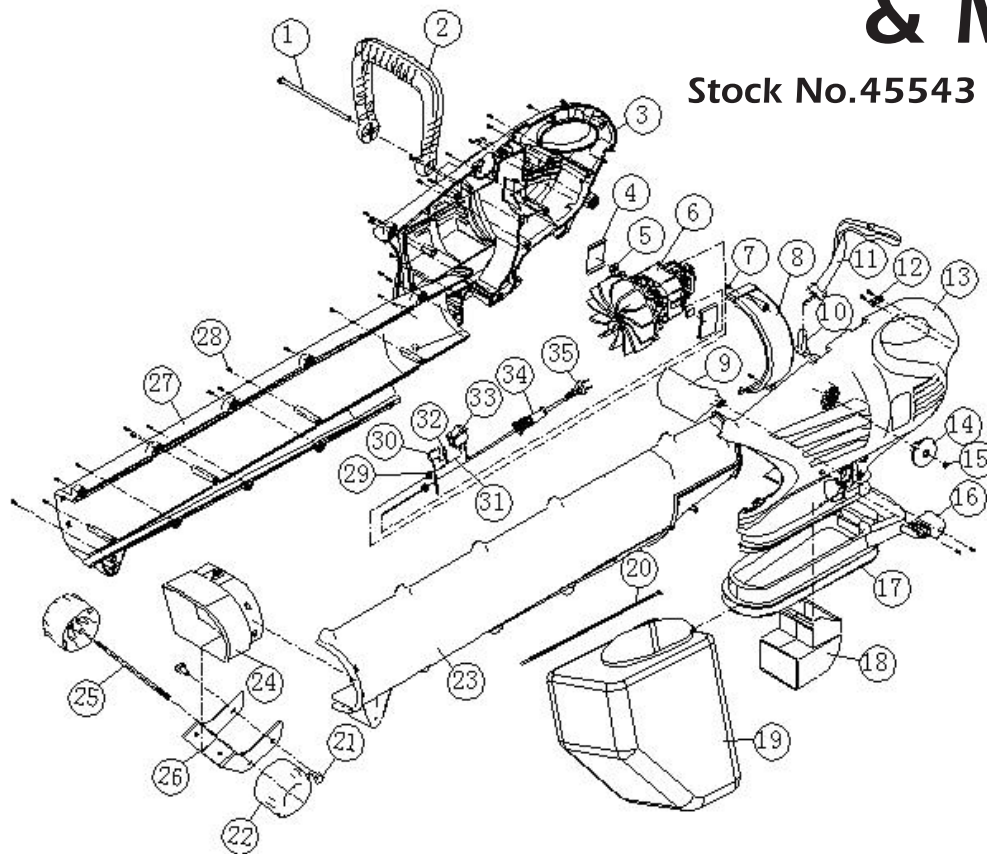




PARTS LISTING & DRAWING SHEET FOR

# Garden Vacuum/Blower & Mulcher

Stock No.45543 Part No.BV2300



KEY No.	PART No.	STOCK No.	DESCRIPTION
1	YBV2300-01	45997	Bolt.
2	YBV2300-02	45998	Support handle.
3	YBV2300-03	45999	Right housing.
4	YBV2300-04	46000	Motor cushion.
5	YBV2300-05	46001	Motor plate.
6	YBV2300-06	46002	Motor assembly.
7	YBV2300-07	46003	Screw.
8	YBV2300-08	46004	Motor bracket.
9	YBV2300-09	46005	Valve plate.
10	YBV2300-10	46006	Latch support.
11	YBV2300-11	46007	Shoulder strap.
12	YBV2300-12	46008	Cable clamp.
13	YBV2300-13	46009	Left housing.
14	YBV2300-14	46010	Support handle lock.
15	YBV2300-15	46011	Nut.
16	YBV2300-16	46012	Interchange lock.
17	YBV2300-17	46013	Dustbag mounting.
18	YBV2300-18	46014	Elbow.

KEY No.	PART No.	STOCK No.	DESCRIPTION
19	YBV2300-19	46015	Dustbag.
20	YBV2300-20	46016	Nylon tie.
21	YBV2300-21	46017	Screw.
22	YBV2300-22	46018	Wheel.
23	YBV2300-23	46021	Left tube housing.
24	YBV2300-24	46022	Centre tube housing.
25	YBV2300-25	46023	Axle.
26	YBV2300-26	46019	Bracket.
27	YBV2300-27	46024	Right tube housing.
28	YBV2300-28	46025	Screw.
29	YBV2300-29	46026	Inductor.
30	YBV2300-30	46027	Capacitor.
31	YBV2300-31	46028	Cable connector.
32	YBV2300-32	46029	Internal wire.
33	YBV2300-33	46030	Switch.
34	YBV2300-34	46031	Cable strain.
35	YBV2300-35	46032	Plug and cable.

**Helpline: (023) 8049 4344. Sales Desk: (023) 8049 4333. General Enquiries: (023) 8026 6355.**

DRAPER TOOLS LTD, HURSLEY ROAD, CHANDLER'S FORD, EASTLEIGH, HANTS. SO53 1YF. U.K. internet: [www.draper.co.uk](http://www.draper.co.uk) e-mail: [sales@drapertools.com](mailto:sales@drapertools.com)